

Atwood ProStand™



Ideal for storage

Atwood's NEW Pro Stand is the ideal answer for jacks with casters that have to be set on soft ground, surfaces that are not level or will be left in place for long periods of time. The large base easily supports the jack, caster and trailer.



Ideal for Storage of Snowmobile Trailers

Great for seasonal vehicles that require storage for half the year.



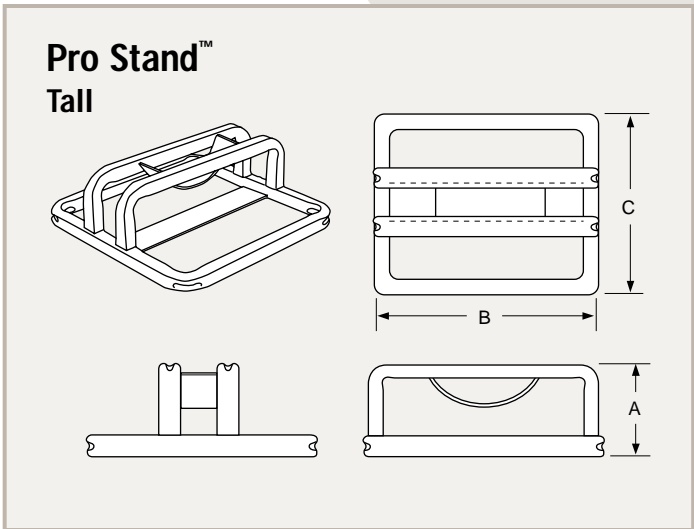
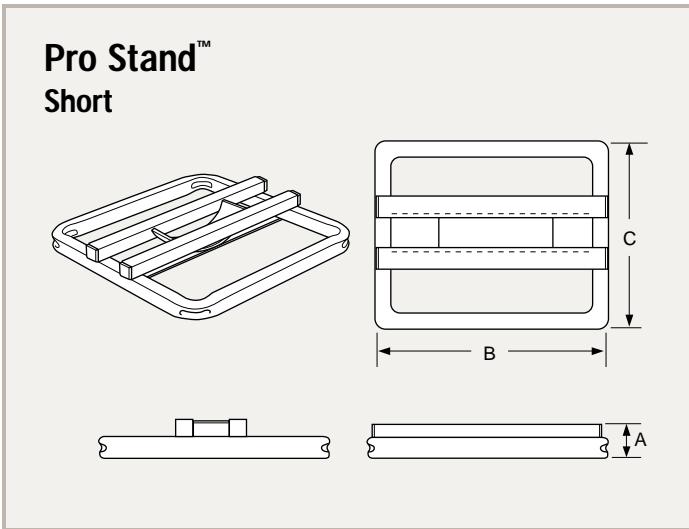
Atwood Pro Stands™ help to distribute weight more evenly, thus reducing damage to driveways caused by jacks sinking into the asphalt over time.

Two Models to Choose From

Use the short Pro Stand for general applications or the tall Pro Stand to keep your boat elevated for easy draining.



Atwood Pro Stand™



Pro Stand™ Selection Guide

PRO STAND							
Part No.	Description	A		B		C	
		in.	mm	in.	mm	in.	mm
80540	Short	2	50.8	15	381	15	381
80541	Tall	5	127	15	381	15	381

Shipping Specifications

Product	Shipping Wt.		Carton Length		Carton Width		Carton Depth	
	lbs.	kg	in.	mm	in.	mm	in.	mm
Short – boxed	8	3.62	15 1/8	384	15 1/8	384	5 1/8	130
Tall – boxed	9	4.08	15 1/8	384	15 1/8	384	5 1/8	130



Pro Stands can be used for a wide variety of trailers.



The greater elevation allows the boat to easily drain after use.

For pricing, contact your Distributor or Atwood Sales Representative. All specifications and illustrations are based on the latest information at the time of publication. Atwood assumes no responsibility for any error in type or print reproduction of specifications in this literature. Due to our policy of continuous improvement, Atwood reserves the right to make changes in price, color, materials, equipment and specifications and to discontinue models at any time without notice.



Atwood Mobile Products
 4750 Hiawatha Drive • Rockford, IL 61103-1298
PHONE: 815•877•5700 **FAX:** 815•877•7469
INTERNET: <http://www.atwoodmobile.com>